



To order, contact
 OM Workspace at: (888) 879-9723
 or info@omworkspace.com

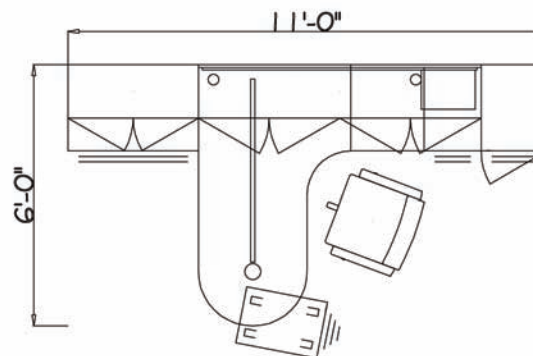
OM Workspace
 The premier contract furniture division of OfficeMax

www.omworkspace.com

HON

Smart now. Smarter later.

www.hon.com



Shown in Henna Cherry Finish with Park Avenue Collection® Seating.

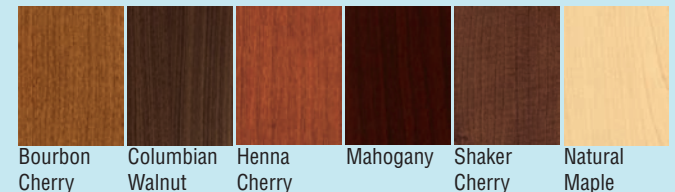
Park Avenue Collection® Laminate Desking Casegoods

Office furniture must be designed as much for timeless styling as practicality of purpose. It should express the personality of the individual using it as well as the workspace available for its use. And it needs to stand up to the fast pace of today's businesses. Tough task. But Park Avenue laminate achieves these goals and then some. A smart, long-term investment, Park Avenue is smart now and smarter later.

Beautiful outside, tough inside - The HON Company's "best-in-class" construction guarantees that your Park Avenue laminate will keep its good looks for many years to come. Quality engineering ensures that elegance, durability and value are designed right in.

Model Number	Description	Qty	List Price
PC131LEX.JJ	Jetty Peninsula w/End Panel	1	884
PC190X.P	Support Column for Peninsula	1	112
PC180G	Modesty Panel for Peninsula, Frosted Glassw/Nickel Frame	1	577
E4022.J	Laminate Extended Keyboard Platform	1	208
PC613XEG.JJ	Pencil/Media/File Mobile Pedestal	1	794
PM709XEX.JJ	Return Top & Back Panel Components	1	333
PM514XG.J	File / File Pedestal	1	608
PC500GEX.JJ	Stack-on Storage, Frosted Doors w/Nickel Frame	1	1,715
90057	Tackboard for Stack-on Storage	1	228
LVPM1.J	Vertical Paper Manager	1	272
PC711REG.JJ	Storage/File Cabinet, Frosted Doors w/Nickel Frame	1	1,774
PC634XEG.JJ	2-Drawer Lateral File	1	995
PC690GEX.JJ	Bookcase Hutch, Frosted Doors w/Nickel Frame	1	1,142
5002SS.11	Park Avenue Collection Mid-back chair	1	1,079
			Total List \$10,721

Pricing effective October 2008, subject to change. Discounted pricing is available, contact OM workspace for details.



Bourbon Cherry Columbian Walnut Henna Cherry Mahogany Shaker Cherry Natural Maple